

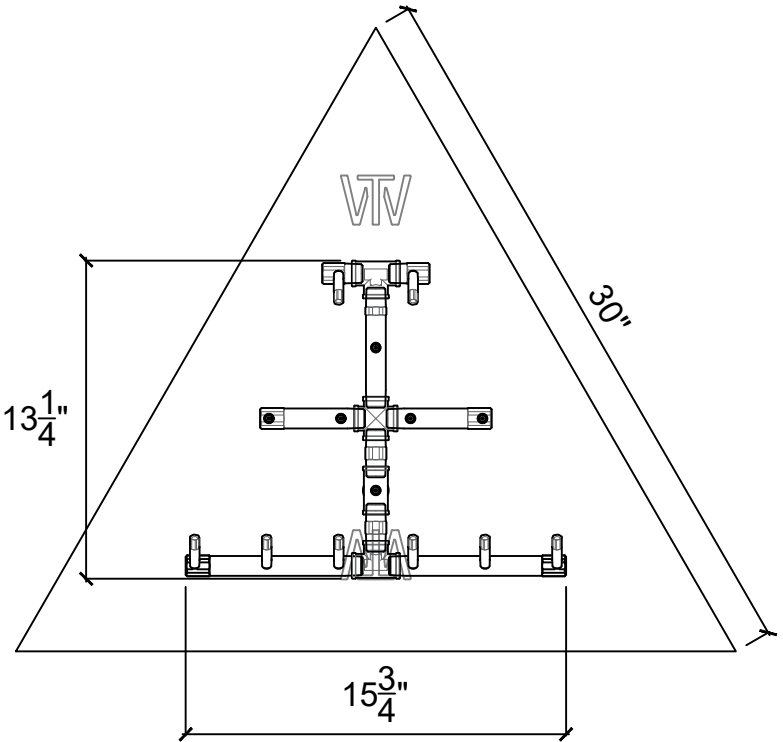
104655 - LP

104654 - NG

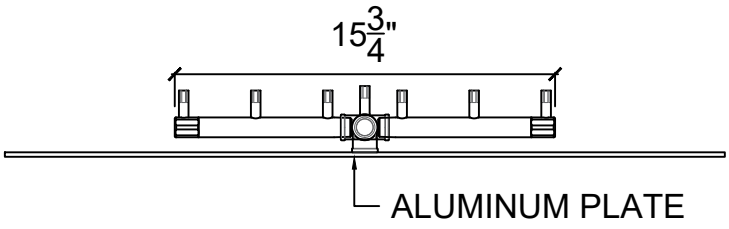
CFBTRI140

Triangle CROSSFIRE®

Brass Burner



PLAN VIEW



ELEVATION VIEW

PRODUCT DESCRIPTION:

The CFBTRI140 is established with a specific air-to-gas mixture ratio which produces a taller, brighter flame while using a fraction of the fuel of conventional fire rings.

CFBTRI140:

MAX OUTPUT: 140,000 BTU

DIMENSIONS: 15.75" L x 13.25" H

PLATE / PAN DIMENSION: 30" Triangle

Made from all brass, the CFBTRI140 is non-corrosive and comes with a FULL LIFETIME WARRANTY.

NOTES:

1. For outdoor/ exterior use only.
2. Modification of product will void any certification and warranty. Please see Warming Trends Warranty.
3. Follow all installation instructions and local codes.
4. Recommended to be installed by a certified plumbing professional.

Contact our Flame Specialists today at 303-346-2224 or visit [www.Warming-Trends.com](http://www.Warming-Trends.com)

**WARMING TRENDS®**

**CROSSFIRE**  
BRASS BURNERS

[www.warming-trends.com](http://www.warming-trends.com)

**CONFIDENTIAL:**  
Any information data and drawings embodied in this document are proprietary and strictly confidential, are to be held as confidential and supplied with the understanding that they will not be disclosed, in whole or in part or in any form, to third parties without the prior written consent of Warming Trends, LLC. © 2024 Warming Trends, LLC. All rights reserved.

Date: JUNE 2024	Customer:	Approved by:
Scale: 1-1/2" = 1'-0"	Estimate #:	Approval Date:
Tolerance: 0.75"	Revision Date:	Designer: