

102117 - LP

102118 - NG

CFBL170

Linear CROSSFIRE® Brass Burner

PRODUCT DESCRIPTION:

The CFBL170 is established with a specific air-to-gas mixture ratio which produces a taller, brighter flame while using a fraction of the fuel of conventional fire rings.

CFBL170:

MAX OUTPUT: 170,000 BTU

DIMENSIONS: 33.75" L

PLATE / PAN DIMENSION: 42" x 8" Rectangle

WARMING TRENDS WATERSTOP FITTING:

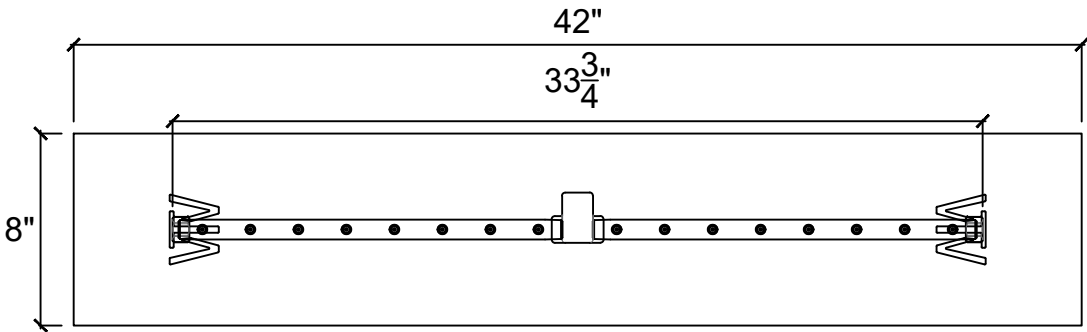
The WATERSTOP® is a patent-pending fitting that protects electronics and valve systems from water and debris while delivering outstanding flame performance. This new fitting also keeps the gas supply line dry and continues to allow the CROSSFIRE® brass burner to self-purge any water in the manifold.

Made from all brass, the CFBL170 is non-corrosive and comes with a FULL LIFETIME WARRANTY.

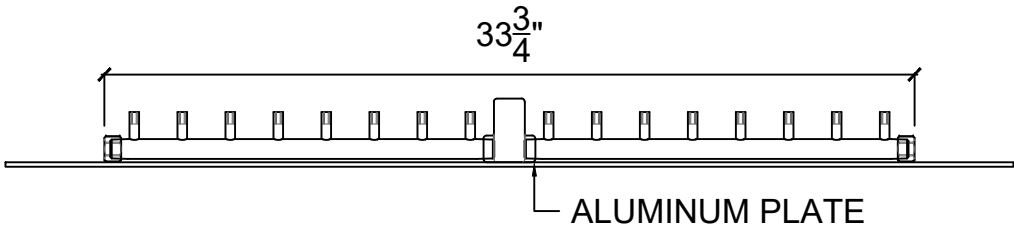
NOTES:

1. For outdoor/ exterior use only.
2. Modification of product will void any certification and warranty. Please see Warming Trends Warranty.
3. Follow all installation instructions and local codes.
4. Recommended to be installed by a certified plumbing professional.

Contact our Flame Specialists today at 303-346-2224 or visit www.Warming-Trends.com



PLAN VIEW



ELEVATION VIEW



CONFIDENTIAL:
Any information data and drawings embodied in this document are proprietary and strictly confidential, are to be held as confidential and supplied with the understanding that they will not be disclosed, in whole or in part or in any form, to third parties without the prior written consent of Warming Trends, LLC. © 2024 Warming Trends, LLC. All rights reserved.

Date: JUNE 2024	Customer:	Approved by:
Scale: 1-1/2" = 1'-0"	Estimate #:	Approval Date:
Tolerance: 0.75"	Revision Date:	Designer: