

# AON

ARCHITECTURAL CONCRETE

*Beautifully engineered from lightweight GFRC (glass fiber reinforced concrete), AON Architectural Concrete Vessels combine sophisticated design with exceptional durability to deliver high-end impact without the weight of traditional concrete. An excellent option when looking to add a unique fire element to any outdoor design.*

SUPERIOR PRODUCTS | DESIGNED, ENGINEERED, & ASSEMBLED IN THE USA | OUTSTANDING CUSTOMER SERVICE

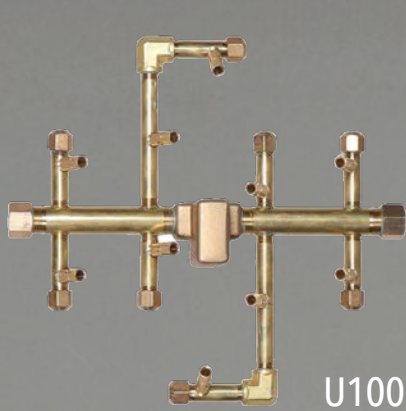
Learn more at [Warming-Trends.com](http://Warming-Trends.com) or call 303-346-2224

**WARMING**  **TRENDS**

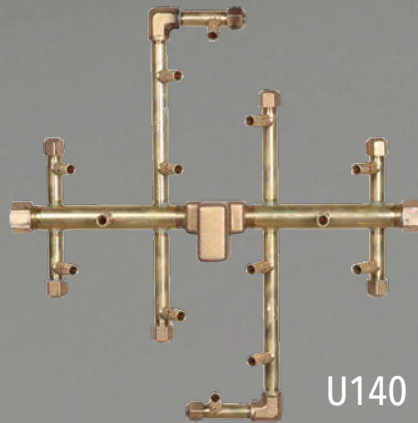


Black

AON  
ARCHITECTURAL CONCRETE



U100



U140



Charcoal



Sand



White

## Size Options

### Aura, Small

26" W x 8.5" H, U100 Burner

\$2,091.00

### Aura, Medium

32" W x 10.5" H, U100 Burner

\$2,652.40

### Aura, Large

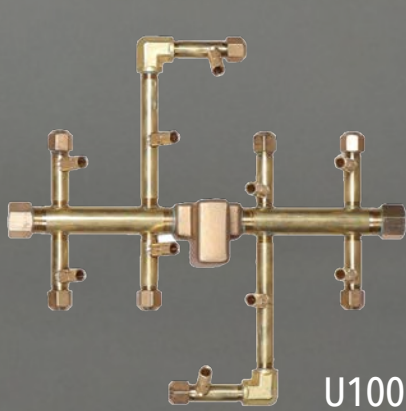
37.5" W x 14" H, U140 Burner

\$3,663.60



Black

AON  
ARCHITECTURAL CONCRETE



U100



U140



Charcoal



Sand



White

## Size Options

### Halo, Small

24" W x 8.5" H, U100 Burner

\$1,952.40

### Halo, Medium

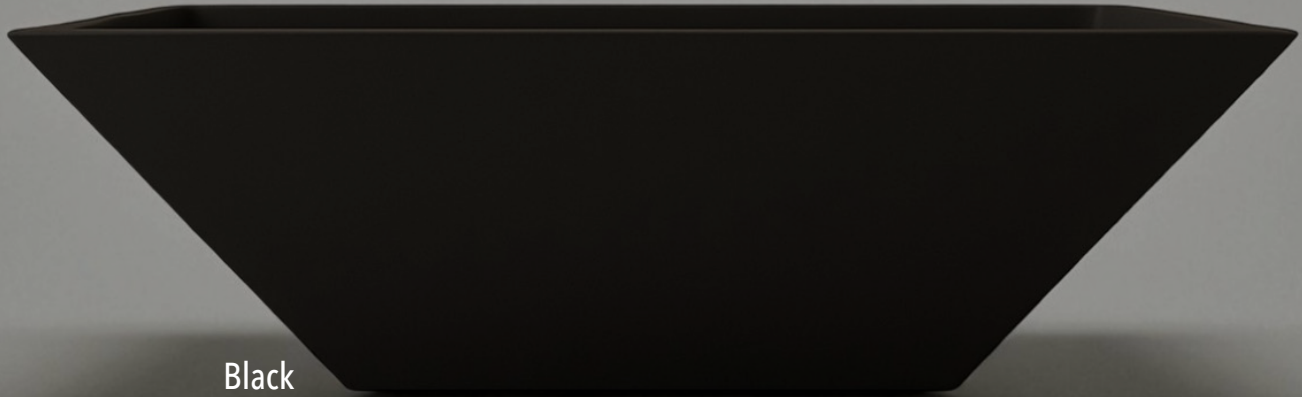
31" W x 11" H, U100 Burner

\$2,652.40

### Halo, Large

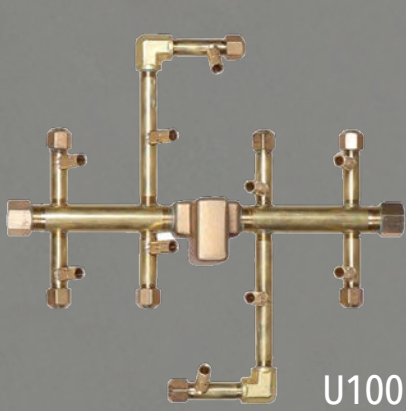
38.5" W x 14.75" H, U140 Burner

\$4,004.60



Black

AON  
ARCHITECTURAL CONCRETE



U100



U140



Charcoal



Sand



White

Size Options

Ember, Small	
24" W x 24" L x 12" H, U100 Burner	\$2,016.00
Ember, Medium	
31" W x 31" L x 10" H, U100 Burner	\$2,652.40
Ember, Large	
41.75" W x 41.75" L x 16.25" H, U140 Burner	\$4,016.00



## ARCHITECTURAL CONCRETE VESSELS

# Aura (Bowl)

### SMALL AURA

SKU	DESCRIPTION	COLOR	MSRP
105392	26" W x 8.5" H + U100 Burner + 21.4" Circular plate + 48" x 1/2" Flex Line + 1/2" Key Valve	BLACK	\$2,091.00
105393	26" W x 8.5" H + U100 Burner + 21.4" Circular plate + 48" x 1/2" Flex Line + 1/2" Key Valve	CHARCOAL	
105394	26" W x 8.5" H + U100 Burner + 21.4" Circular plate + 48" x 1/2" Flex Line + 1/2" Key Valve	WHITE	
105395	26" W x 8.5" H + U100 Burner + 21.4" Circular plate + 48" x 1/2" Flex Line + 1/2" Key Valve	SAND	

### MEDIUM AURA

SKU	DESCRIPTION	COLOR	MSRP
105396	32" W x 10.5" H + U100 Burner + 27" Circular plate + 48" x 1/2" Flex Line + 1/2" Key Valve	BLACK	\$2,652.40
105397	32" W x 10.5" H + U100 Burner + 27" Circular plate + 48" x 1/2" Flex Line + 1/2" Key Valve	CHARCOAL	
105398	32" W x 10.5" H + U100 Burner + 27" Circular plate + 48" x 1/2" Flex Line + 1/2" Key Valve	WHITE	
105399	32" W x 10.5" H + U100 Burner + 27" Circular plate + 48" x 1/2" Flex Line + 1/2" Key Valve	SAND	

### LARGE AURA

SKU	DESCRIPTION	COLOR	MSRP
105400	37.5" W x 14" H + U140 Burner + 31.5" Circular plate + 48" x 1/2" Flex Line + 1/2" Key Valve	BLACK	\$3,663.60
105401	37.5" W x 14" H + U140 Burner + 31.5" Circular plate + 48" x 1/2" Flex Line + 1/2" Key Valve	CHARCOAL	
105402	37.5" W x 14" H + U140 Burner + 31.5" Circular plate + 48" x 1/2" Flex Line + 1/2" Key Valve	WHITE	
105403	37.5" W x 14" H + U140 Burner + 31.5" Circular plate + 48" x 1/2" Flex Line + 1/2" Key Valve	SAND	



## ARCHITECTURAL CONCRETE VESSELS

# Halo (Round Wok)

### SMALL HALO

SKU	DESCRIPTION	COLOR	MSRP
105416	24" W x 8.5" H + U100 Burner + 17.08" Circular plate + 48" x 1/2" Flex Line + 1/2" Key Valve	BLACK	\$1,952.40
105417	24" W x 8.5" H + U100 Burner + 17.08" Circular plate + 48" x 1/2" Flex Line + 1/2" Key Valve	CHARCOAL	
105418	24" W x 8.5" H + U100 Burner + 17.08" Circular plate + 48" x 1/2" Flex Line + 1/2" Key Valve	WHITE	
105419	24" W x 8.5" H + U100 Burner + 17.08" Circular plate + 48" x 1/2" Flex Line + 1/2" Key Valve	SAND	

### MEDIUM HALO

SKU	DESCRIPTION	COLOR	MSRP
105420	31" W x 11" H + U100 Burner + 23.46" Circular plate + 48" x 1/2" Flex Line + 1/2" Key Valve	BLACK	\$2,652.40
105421	31" W x 11" H + U100 Burner + 23.46" Circular plate + 48" x 1/2" Flex Line + 1/2" Key Valve	CHARCOAL	
105422	31" W x 11" H + U100 Burner + 23.46" Circular plate + 48" x 1/2" Flex Line + 1/2" Key Valve	WHITE	
105423	31" W x 11" H + U100 Burner + 23.46" Circular plate + 48" x 1/2" Flex Line + 1/2" Key Valve	SAND	

### LARGE HALO

SKU	DESCRIPTION	COLOR	MSRP
105424	38.5" W x 14.75" H + U140 Burner + 31.5" Circular plate + 48" x 1/2" Flex Line + 1/2" Key Valve	BLACK	\$4,004.60
105425	38.5" W x 14.75" H + U140 Burner + 31.5" Circular plate + 48" x 1/2" Flex Line + 1/2" Key Valve	CHARCOAL	
105426	38.5" W x 14.75" H + U140 Burner + 31.5" Circular plate + 48" x 1/2" Flex Line + 1/2" Key Valve	WHITE	
105427	38.5" W x 14.75" H + U140 Burner + 31.5" Circular plate + 48" x 1/2" Flex Line + 1/2" Key Valve	SAND	



## ARCHITECTURAL CONCRETE VESSELS

# Ember (Square Wok)

### SMALL EMBER

SKU	DESCRIPTION	COLOR	MSRP
105404	24" W x 24" L x 12" H + U100 Burner + 19.33" Square plate + 48" x 1/2" Flex Line + 1/2" Key Valve	BLACK	\$2,016.00
105405	24" W x 24" L x 12" H + U100 Burner + 19.33" Square plate + 48" x 1/2" Flex Line + 1/2" Key Valve	CHARCOAL	
105406	24" W x 24" L x 12" H + U100 Burner + 19.33" Square plate + 48" x 1/2" Flex Line + 1/2" Key Valve	WHITE	
105407	24" W x 24" L x 12" H + U100 Burner + 19.33" Square plate + 48" x 1/2" Flex Line + 1/2" Key Valve	SAND	

### MEDIUM EMBER

SKU	DESCRIPTION	COLOR	MSRP
105408	31" W x 31" L x 10" H + U100 Burner + 23.99" Square plate + 48" x 1/2" Flex Line + 1/2" Key Valve	BLACK	\$2,652.40
105409	31" W x 31" L x 10" H + U100 Burner + 23.99" Square plate + 48" x 1/2" Flex Line + 1/2" Key Valve	CHARCOAL	
105410	31" W x 31" L x 10" H + U100 Burner + 23.99" Square plate + 48" x 1/2" Flex Line + 1/2" Key Valve	WHITE	
105411	31" W x 31" L x 10" H + U100 Burner + 23.99" Square plate + 48" x 1/2" Flex Line + 1/2" Key Valve	SAND	

### LARGE EMBER

SKU	DESCRIPTION	COLOR	MSRP
105412	41.75" W x 41.75" L x 16.25" H + U140 Burner + 34" Square plate + 48" x 1/2" Flex Line + 1/2" Key Valve	BLACK	\$4,016.00
105413	41.75" W x 41.75" L x 16.25" H + U140 Burner + 34" Square plate + 48" x 1/2" Flex Line + 1/2" Key Valve	CHARCOAL	
105414	41.75" W x 41.75" L x 16.25" H + U140 Burner + 34" Square plate + 48" x 1/2" Flex Line + 1/2" Key Valve	WHITE	
105415	41.75" W x 41.75" L x 16.25" H + U140 Burner + 34" Square plate + 48" x 1/2" Flex Line + 1/2" Key Valve	SAND	



DON'T SETTLE FOR **LESS.**



Scan here for all AON  
options and accessories.